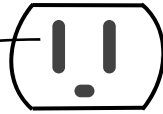
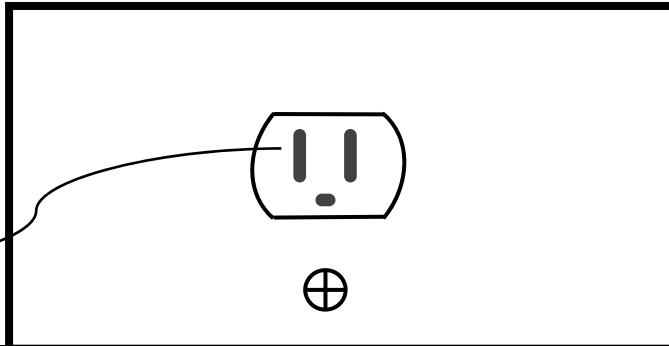
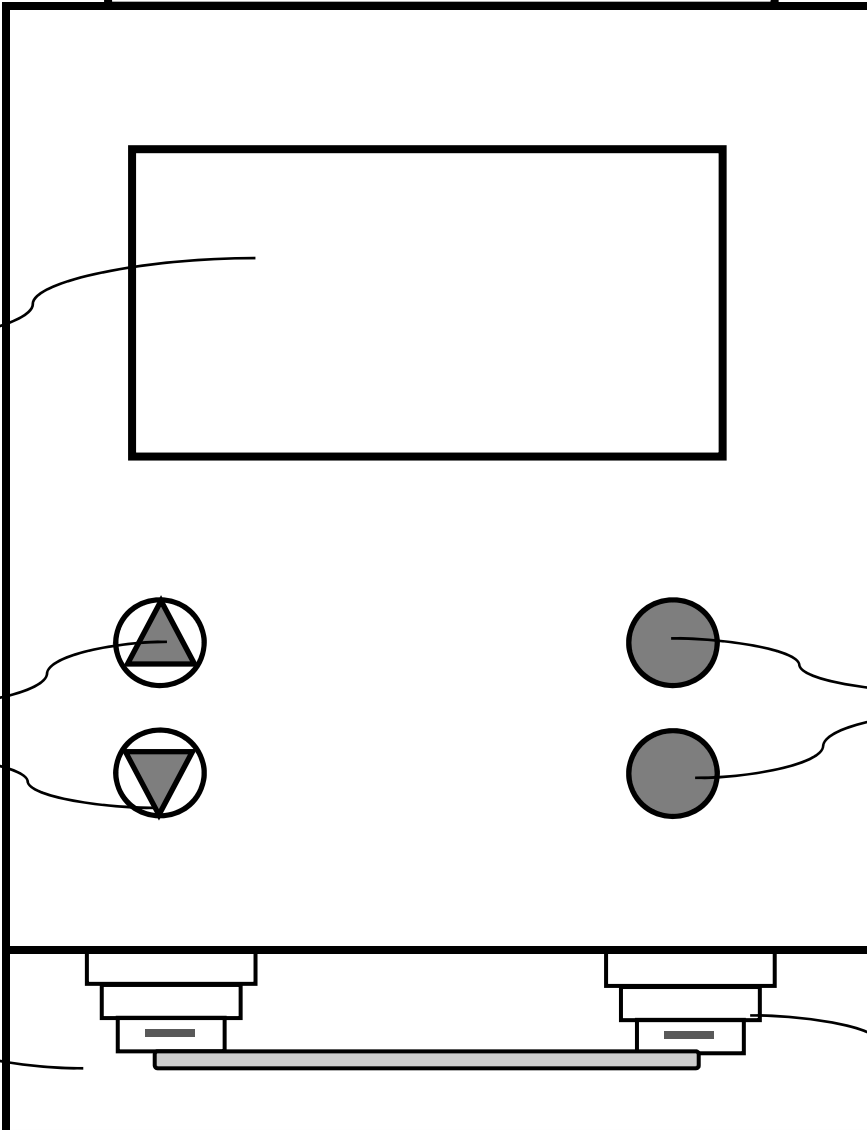


FIGURE 1

100



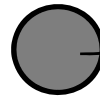
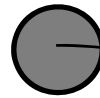
102



104



106



108

110



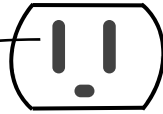
112

FIGURE 2

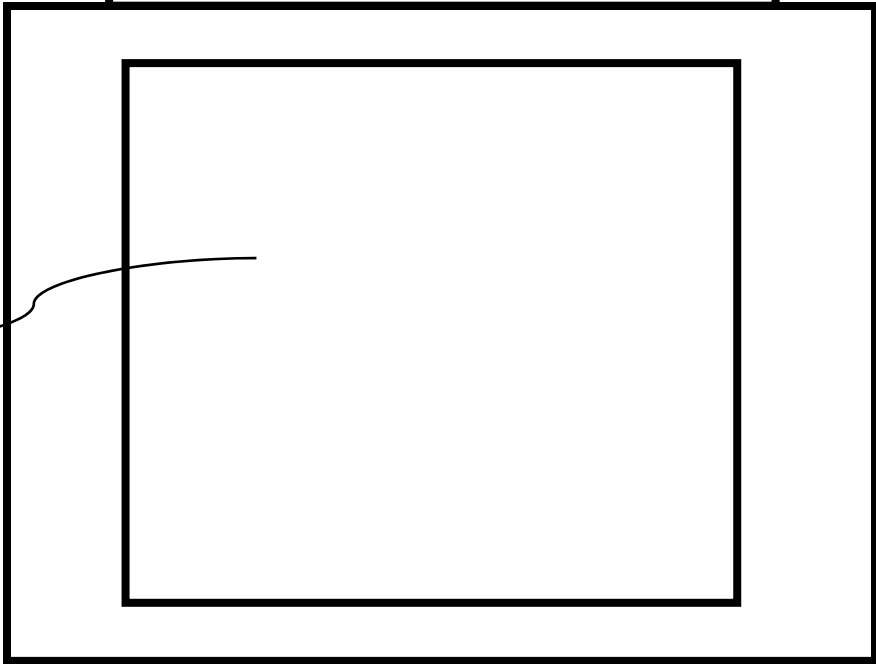
100



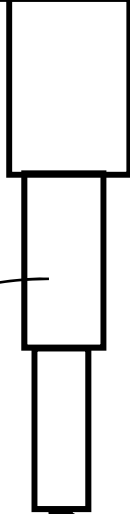
102



104



202



202

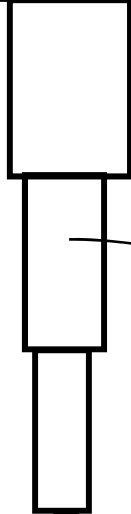


FIGURE 3

100

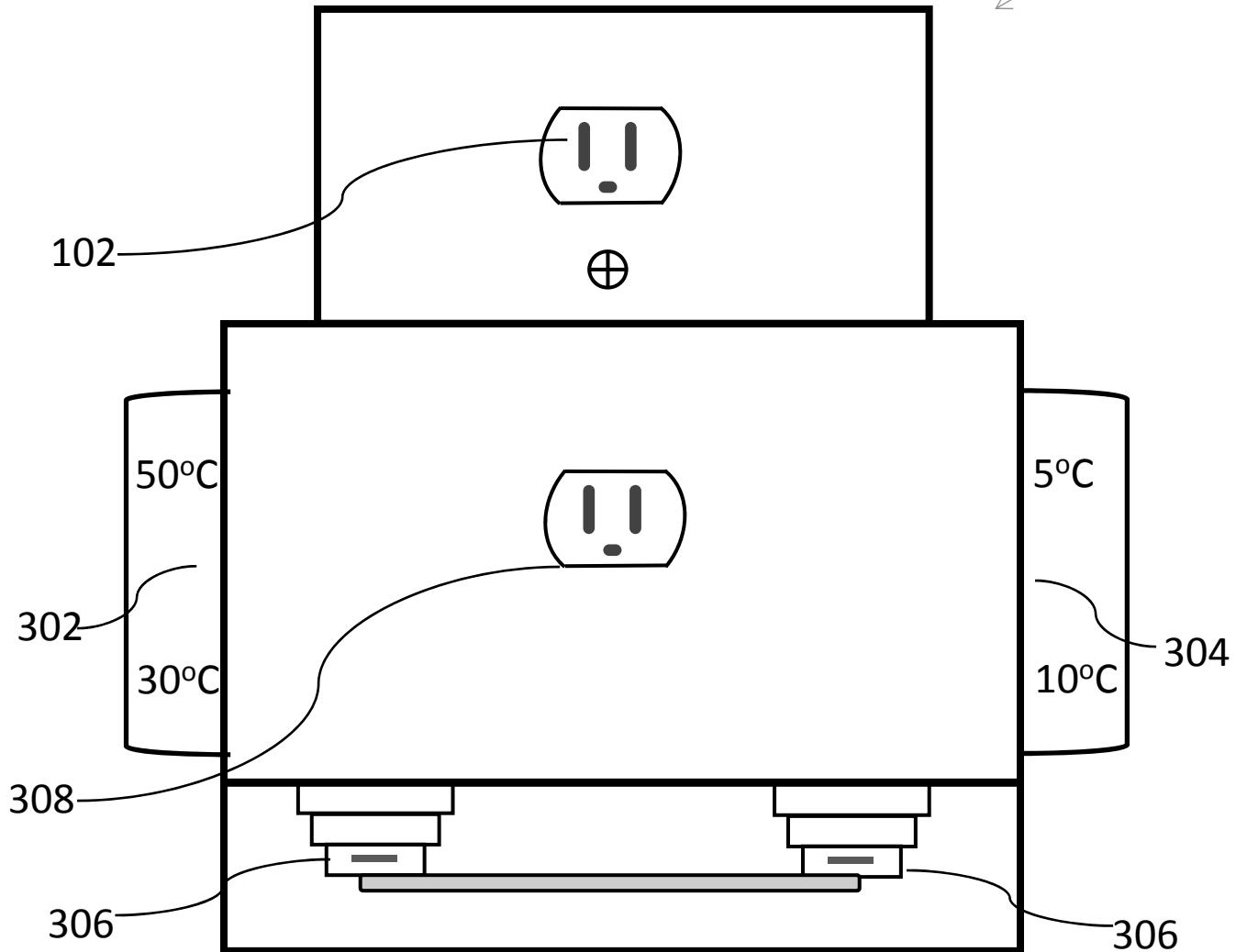
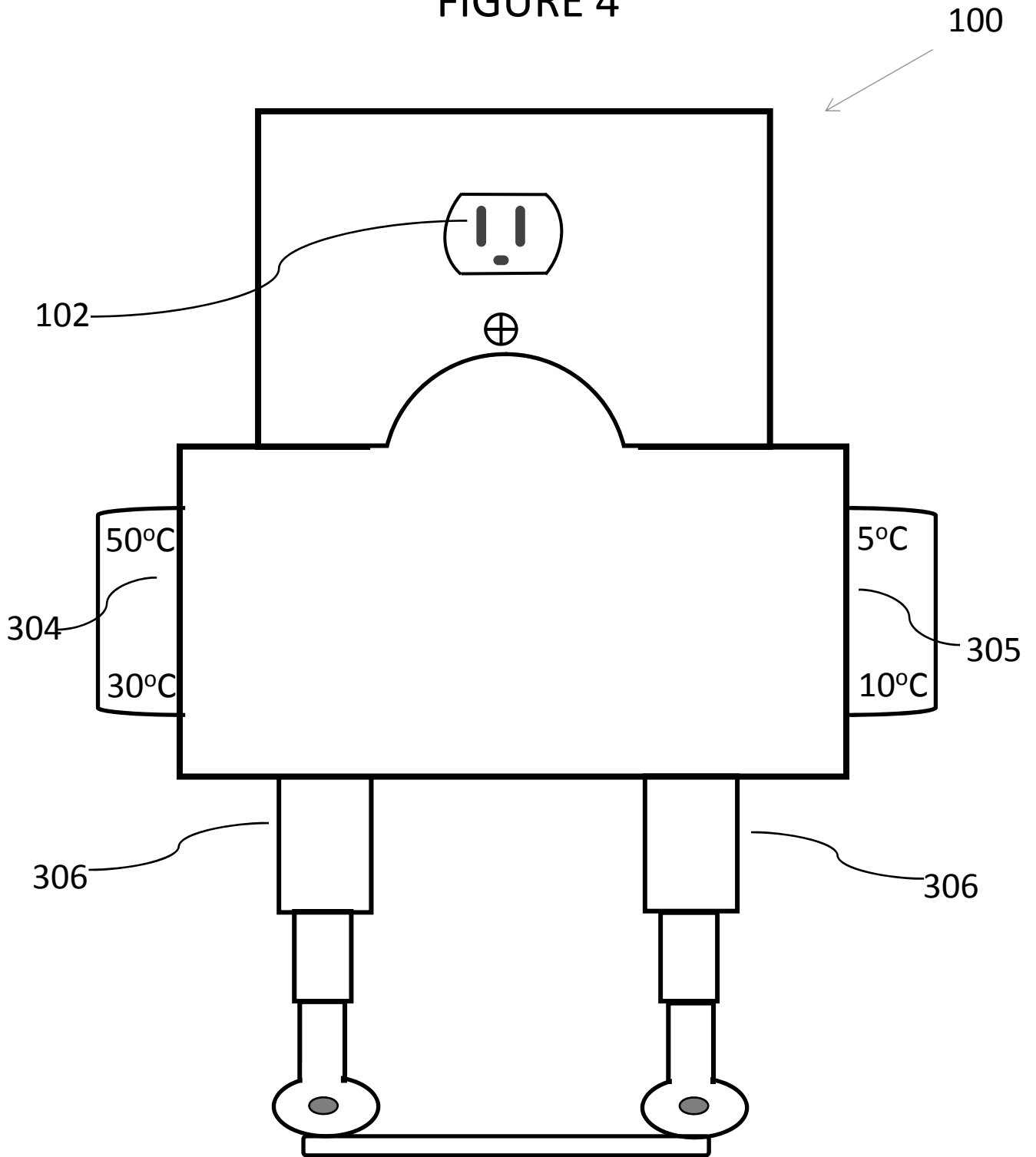


FIGURE 4



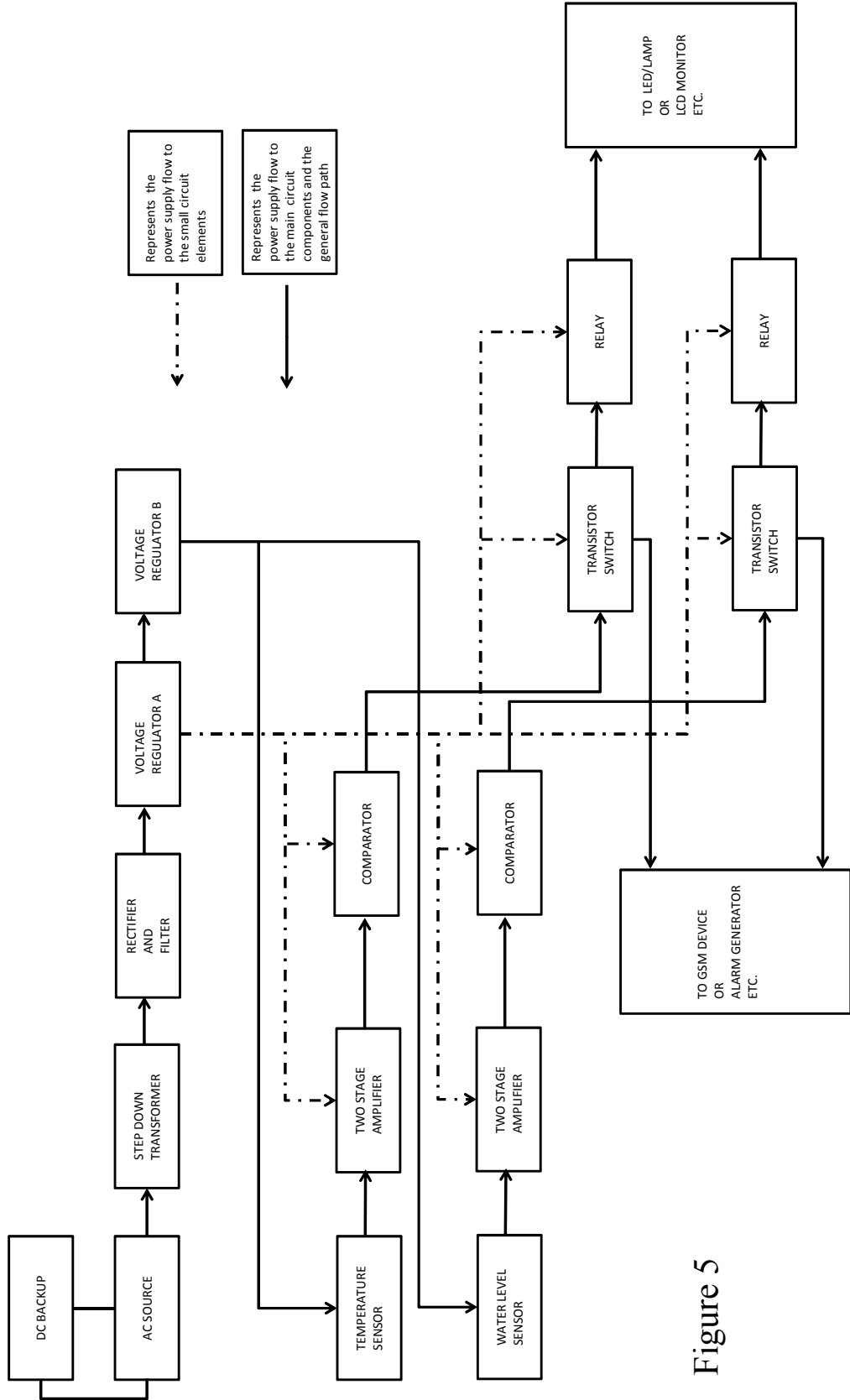


Figure 5

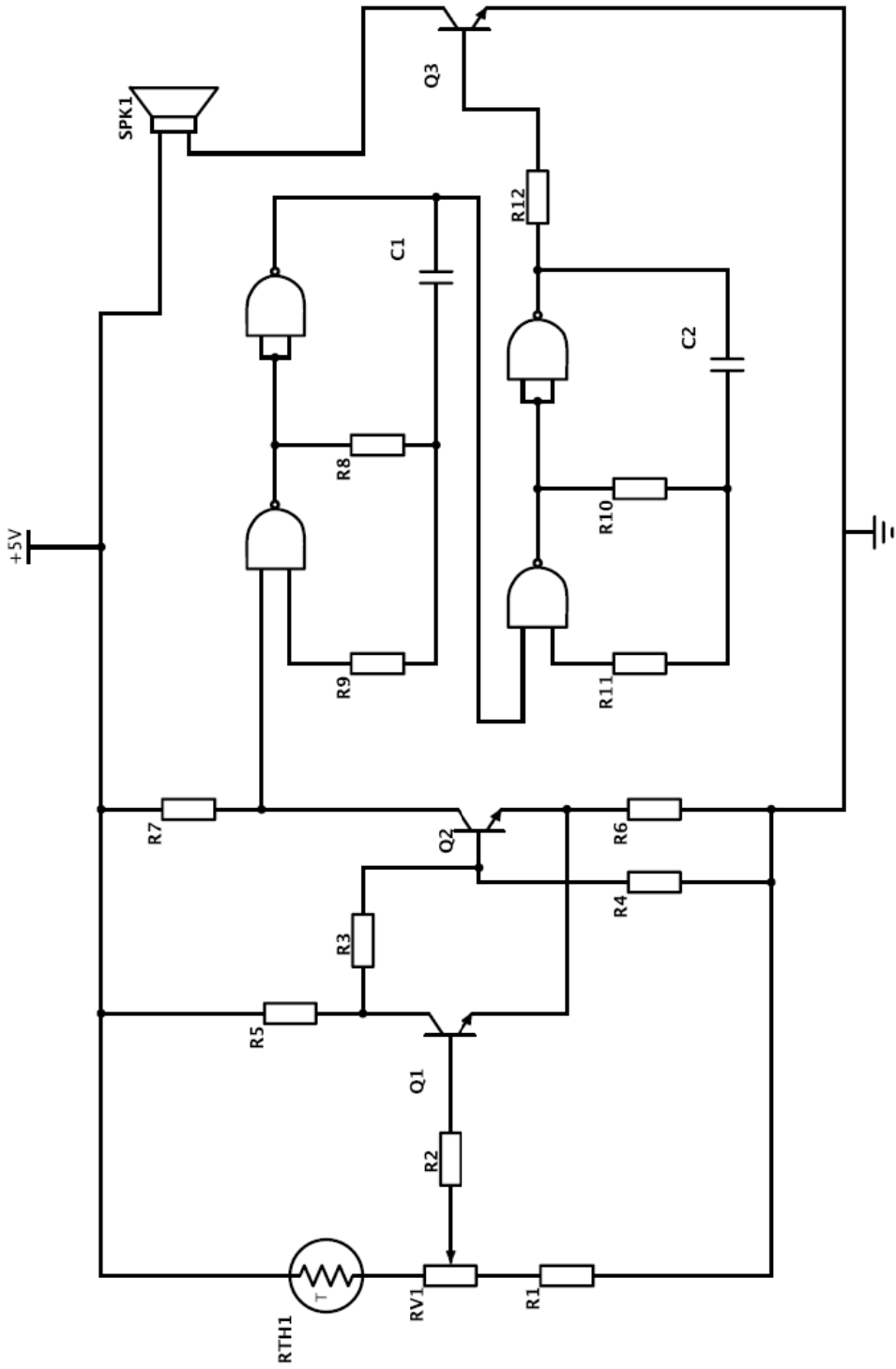


FIGURE 6

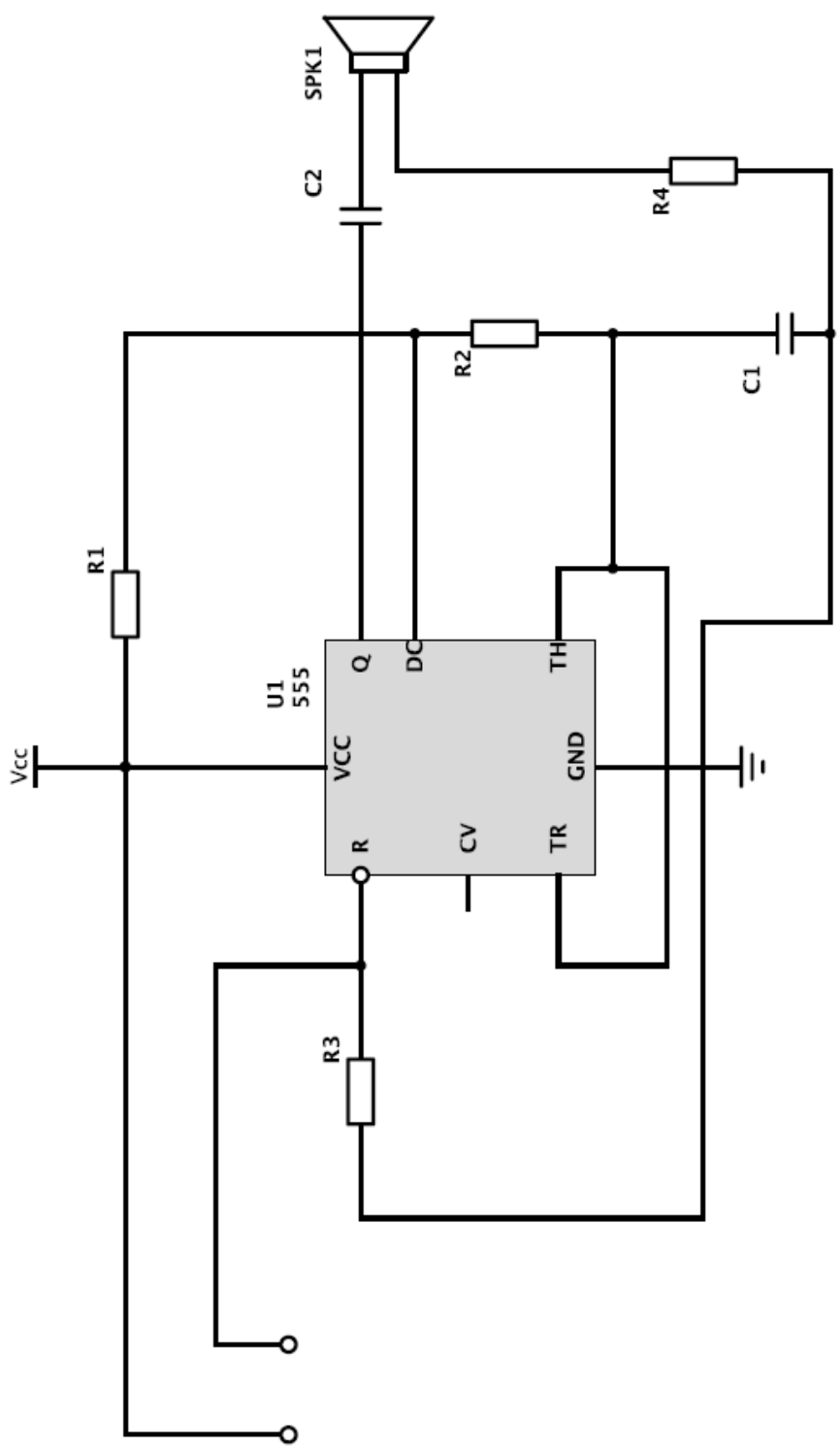


FIGURE 7